

Goodman GTST Thermostat Wiring

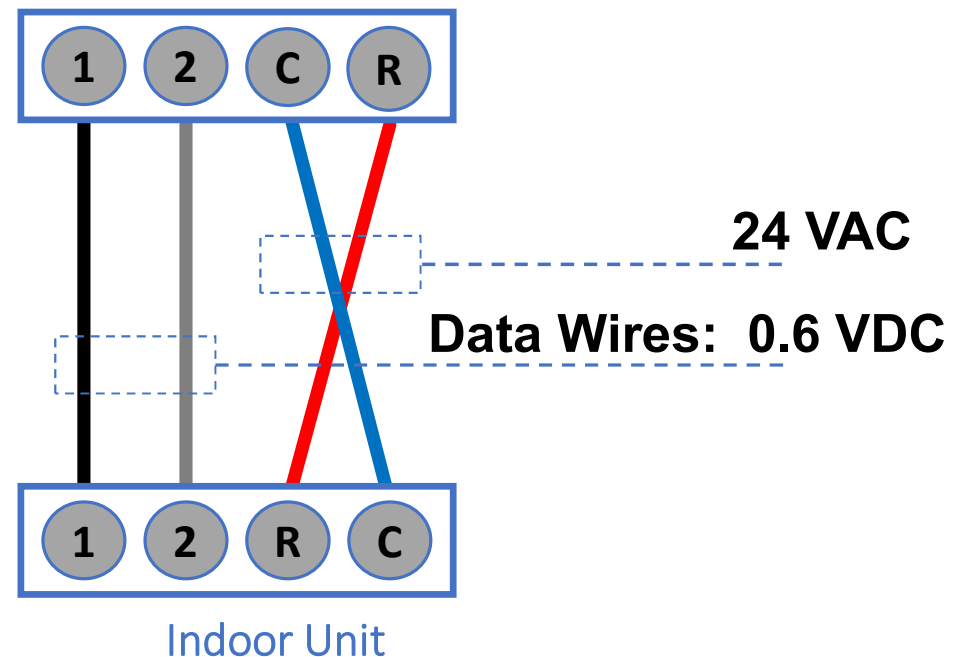
**The following are the ONLY acceptable wiring configurations. Please wire exactly as shown to avoid issues.

Low Voltage Wiring

Communicating wiring detail

- If low voltage requirements are not met:
 - Check/eliminate wiring connections
 - Crossed wires, loose bent, broken wires, etc.
 - Replace wiring
 - 18 AWG **stranded, shielded** is recommended
- **Note:** The Goodman GTST Thermostat is labeled **1, 2, C, R**.
If wired incorrectly, you will receive a communication error, or your equipment may not be recognized and displayed.

Goodman GTST Thermostat

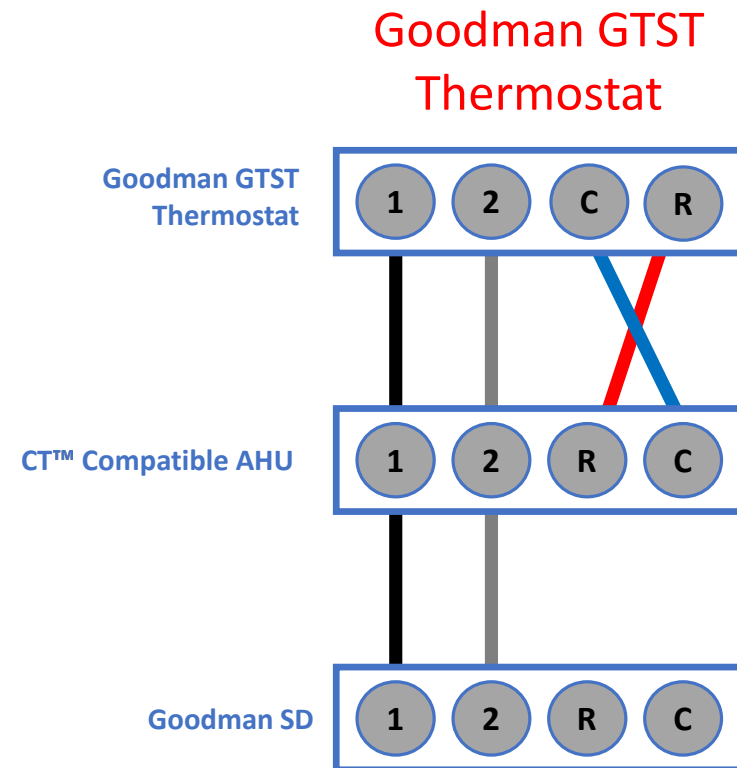


Low Voltage Wiring



Wiring detail when paired with a one-piece air handler

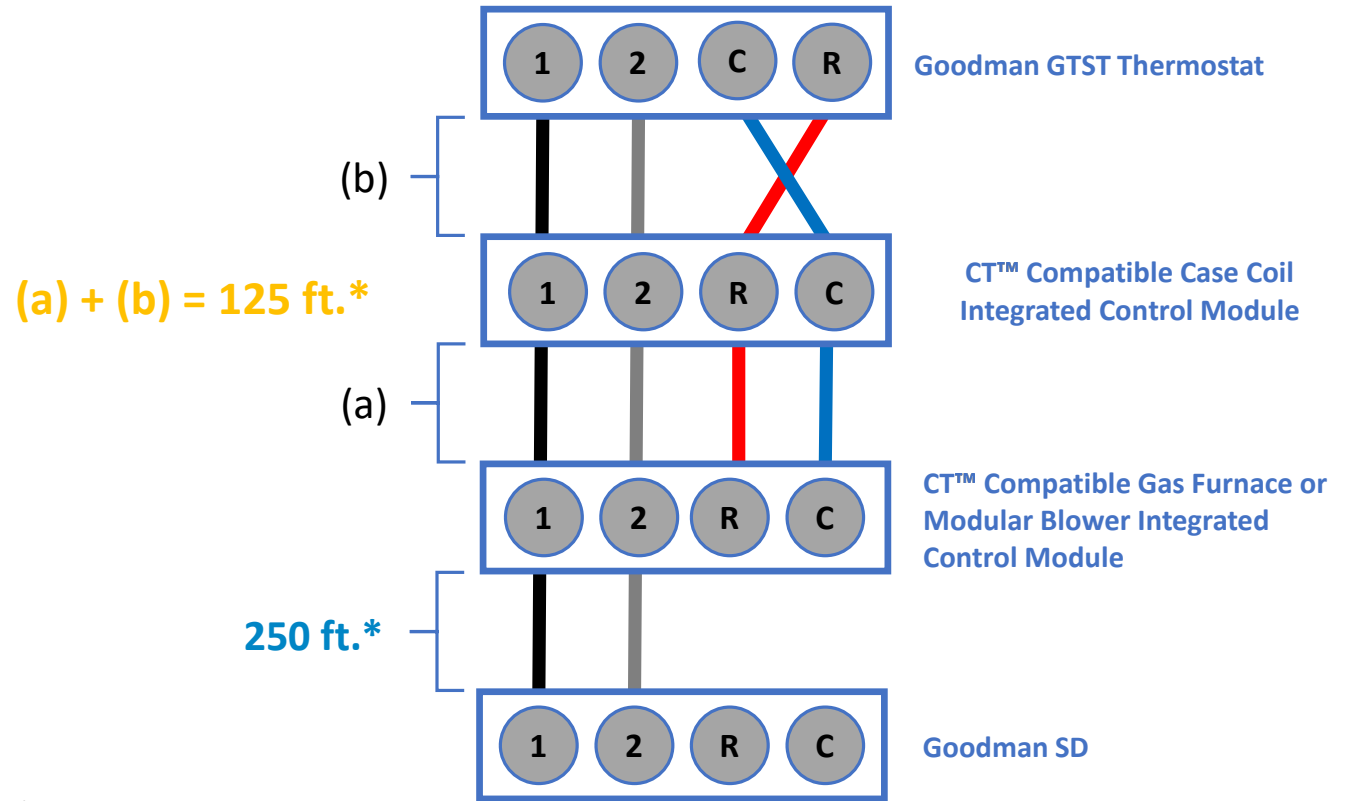
- Minimum 18 AWG.
- Max 125' between communicating thermostat and indoor units.
- Max 250' between outdoor and indoor units.
- Four wires from indoor unit and coil PCB to thermostat.
- Two wires to outdoor unit.



Low Voltage Wiring

Wiring detail when paired with a gas furnace/MBVC and cased coil

- **Data line 1**
- **Data line 2**
- **R (24 VAC hot)**
- **C (24 VAC common)**



* Maximum allowable length

Aux Wiring

- The thermostats Aux outputs are dry contacts that close the connection to turn on the Aux equipment.
- A 24V AC control signal must be routed through one of the aux contacts of the thermostat.

Goodman GTST Thermostat

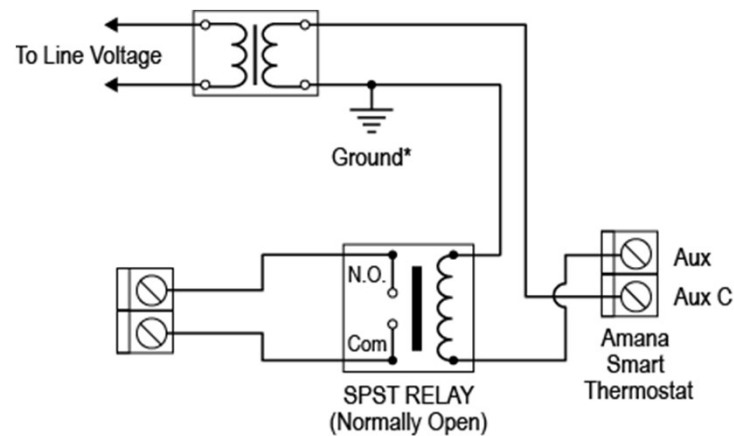


*The terminals are selected in the Amana Smart Thermostat installer wizard.

Note: It is recommended to use a minimum of 18-gauge wire. Maximum operating length of wire is 125 ft.

Add Equipment

- The Goodman GTST Thermostat is compatible with multiple accessories.
 - Secondary heat system
 - Humidifier
 - Dehumidifier
 - You can control the Secondary heat system, humidifier, and dehumidifier by using aux (Aux/Aux C)
 - **Recommend using an isolation relay between auxiliary device and thermostat.**



For Aux Terminal Connection